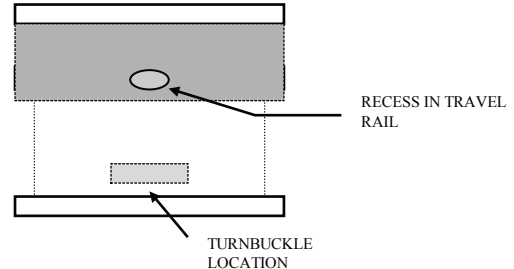
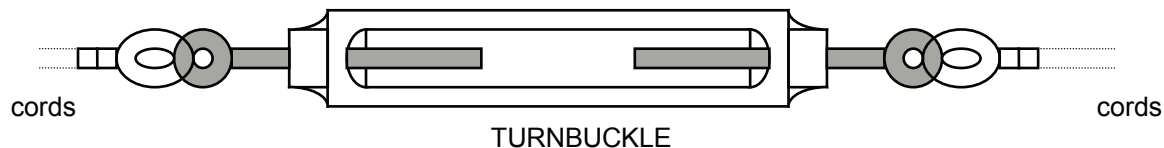


1. Unwrap the shade package. Be careful not to misplace the bag with screws and clips.

2. Position the shade as it will appear in the skylight opening.

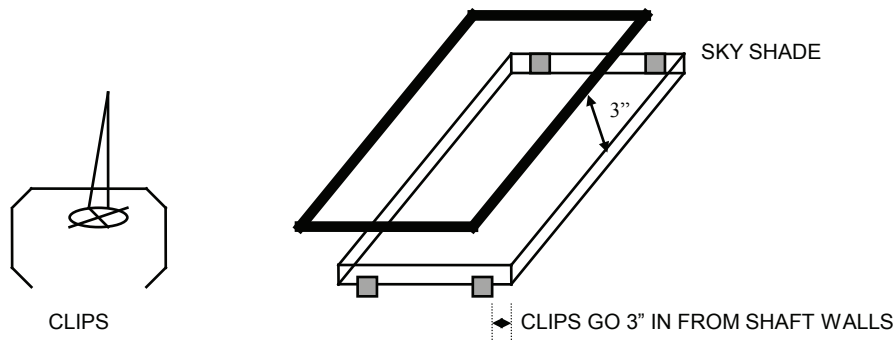


3. Check the size of the shade with the size of the opening. If the shade has to be shortened or lengthened, adjust the strings in the bottom rail by tightening or loosening the turnbuckle. If additional adjustment is needed, retie the cords attached to the turnbuckle.



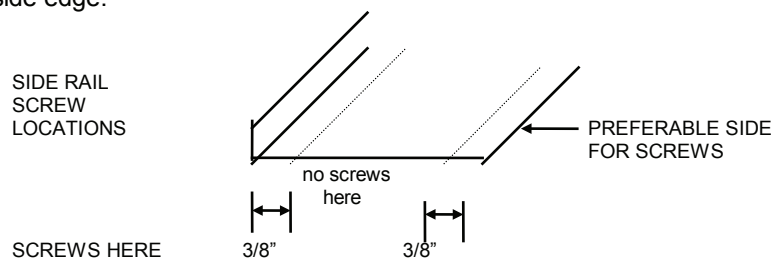
4. Adjust the rails so that they are all parallel to each other.

5. Screw the clips into the skylight shaft for attaching the headrail and bottomrail. These should be positioned about 3" from the end of each rail. (Shades over 30" wide require a 3rd clip mounted in the center.) Leave 3" from the skylight glazing to the shade. This allows sufficient space for heat to dissipate into the room air.



6. Side rails are included which will enable you to block off all light gaps on each side of the shade, cover up irregularities in your window shaft, and guide long shades. They are optional. If you plan to use them, cut them down to the correct size - to match the exact height of the shade as it is assembled in the window shaft. Either leg of the side rail can be used to face towards the room. It is generally preferred to have the short 3/4" leg face inward. Drill holes in the leg that will butt the shaft walls.

Drill holes within 3/8" of each side - not in the center which will interfere with the shade travel -preferably towards the outside edge.



6. Position the shade so that the fabric aluminized surface (or the white surfaces in the case of the cellular fabric shades) faces to the outside. Snap the shade headrail into the top clips. Do the same with the bottom rail. If the shade sags or is too tight, readjust the turnbuckle. If this does not give sufficient room for adjustment, untie the cord going to the turnbuckle and retie to the desired position.

7. To open and close the shade insert the end of the telescopic pole into the recess in the moving rail and push the shade upward or downward. Try not to twist the pole while pushing or pulling the shade. If the shade becomes out of parallel, push the moving rail to the top or bottom and it will become parallel again. If it continues to go out of parallel, tighten the tension.

