

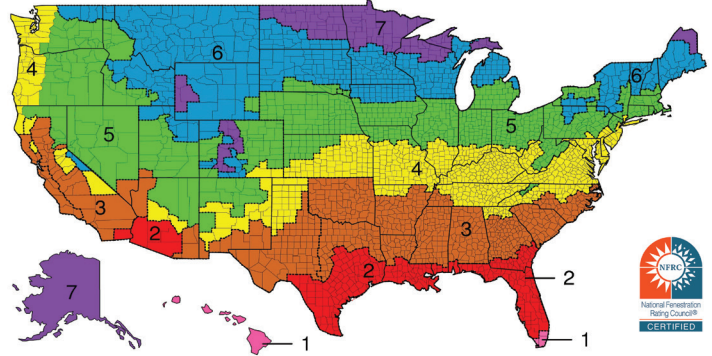
Energy Efficient Unit Skylights

EcoSky3™ Meets IECC 2018 in All Climate Zones

EcoSky3™ is a green, glare-free unit that provides high quality diffused light with SHGC of .31 and a high VLT for maximum usable LUX delivery.

Our Acrylite® Satin Sky® 2 glazing is an innovative acrylic sheet that is a powerful sun reflector which greatly reduces solar heat gain, making it ideal for both hot and cold climates. Satin Sky 2 is infrared blocking, light diffusing, and 100% haze white.

Our EcoSky3 features Satin Sky 2 acrylic outer dome, over a clear acrylic inner dome, over a Lumira® aerogel filled multiwall polycarbonate panel. EcoSky3 offers superior thermal performance and excellent visible light transmission. By adapting nano technology, Lumira aerogel is able to provide a tremendous thermal insulator that is also environmentally sound. Lumira aerogel works so well because of what it does on a nano-scale — it permanently stops convective and conductive thermal transfer without an appreciable drop in light transmission.



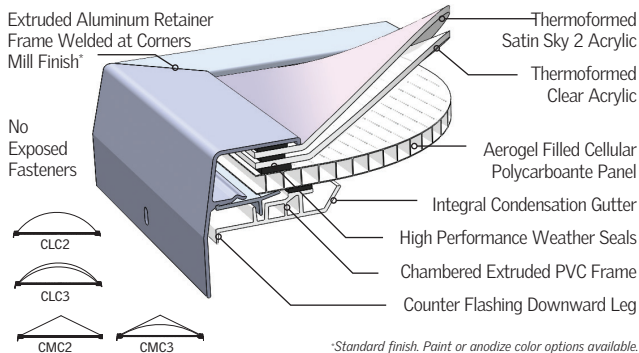
	Zone 1		Zone 2		Zone 3		Zones 4 - 6		Zones 7 - 8	
	U	SHGC	U	SHGC	U	SHGC	U	SHGC	U	SHGC
IECC 2018	0.75	0.35	0.65	0.35	0.55	0.35	0.50	0.40	0.50	NR
CLD3	0.36	0.31	0.36	0.31	0.36	0.31	0.36	0.31	0.36	0.31
CLC3	0.33	0.31	0.33	0.31	0.33	0.31	0.33	0.31	0.33	0.31

SAFETY CONSIDERATIONS



Skylights pose an inherent risk of injury or death from fall throughs, and the safety of others is of the utmost importance to VELUX. VELUX recommends that the customer, building owner or manager use additional protection with the skylight such as an exterior or interior safety cage, to enhance long-term safety. The building owner or manager is responsible for providing fall protection around the skylight in accordance with OSHA regulations. VELUX also recommends that the building owner or manager restrict roof access only to personnel who have been cautioned as to the location of the skylights, and warned not to sit, step or walk on the skylights.

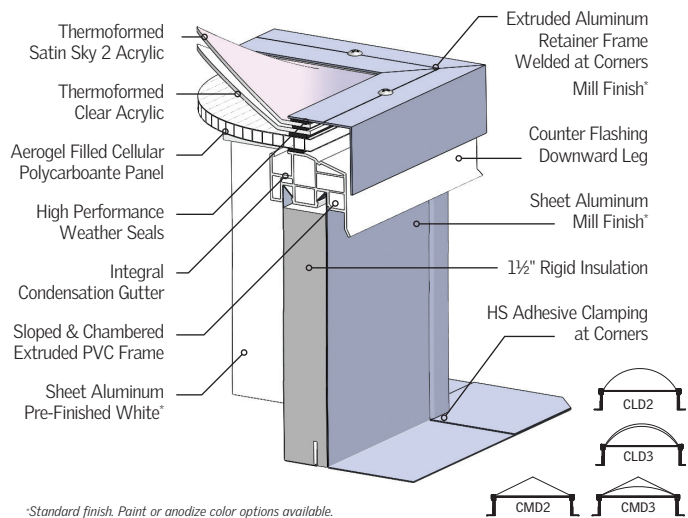
Curb Mount (CLC3) For Use on 1½" Site-Built or Prefab Curbs



Standard Sizes (Custom Sizes Available)

Model/Size	O.D. of Curb	Model/Size	O.D. of Curb
2828	25 ¼" x 25 ¼"	5276	49 ¼" x 72 ½"
2852	25 ¼" x 49 ¼"	5296	49 ¼" x 92 ½"
3636	33 ¼" x 33 ¼"	5555	51" x 51"
3652	33 ¼" x 49 ¼"	55102	51" x 99"
4242	40" x 40"	6060	58" x 58"
4280	40" x 78"	6476	60 ½" x 72 ½"
5252	49 ¼" x 49 ¼"	6496	60 ½" x 92 ½"

Deck Mount (CLD3) Integral Curb Heights of 12" or 16"



Standard Sizes (Custom Sizes Available)

Model/Size	Rough Opening	Model/Size	Rough Opening
2828	22 ¼" x 22 ¼"	5276	46 ¼" x 69 ½"
2852	22 ¼" x 46 ¼"	5296	46 ¼" x 89 ½"
3636	30 ¼" x 30 ¼"	5555	48" x 48"
3652	30 ¼" x 46 ¼"	55102	48" x 96"
4242	37" x 37"	6060	55" x 55"
4280	37" x 75"	6476	57 ½" x 69 ½"
5252	46 ¼" x 46 ¼"	6496	57 ½" x 89 ½"

Energy Efficient Unit Skylights

EcoSky™ Thermally Efficient Units

Our Acrylite® Satin Sky® 2 glazing is an innovative acrylic sheet that is a powerful sun reflector which greatly reduces solar heat gain, making it ideal for both hot and cold climates. Satin Sky 2 is infrared blocking, light diffusing, and 100% haze white.



Provided with thermoformed high performance acrylic, double or triple domed.



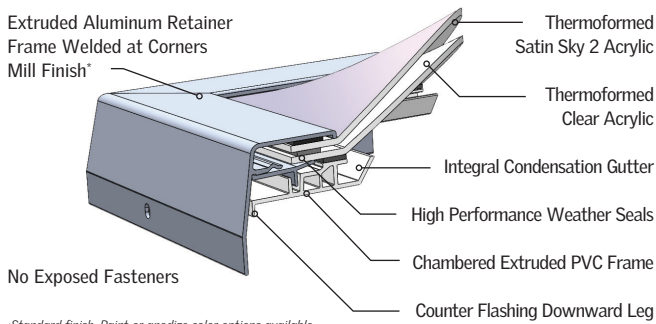
SAFETY CONSIDERATIONS



Skylights pose an inherent risk of injury or death from fall throughs, and the safety of others is of the utmost importance to VELUX. VELUX recommends that the customer, building owner or manager use additional protection with the skylight such as an exterior or interior safety cage, to enhance long-term safety. The building owner or manager is responsible for providing fall protection around the skylight in accordance with OSHA regulations. VELUX also recommends that the building owner or manager restrict roof access only to personnel who have been cautioned as to the location of the skylights, and warned not to sit, step or walk on the skylights.

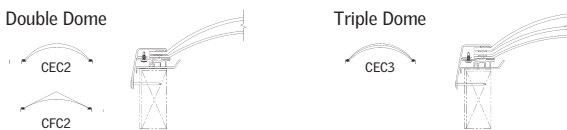
Curb Mount (CEC2)

For Use on 1½" Site-Built or Prefab Curbs



*Standard finish. Paint or anodize color options available.

Glazing Options



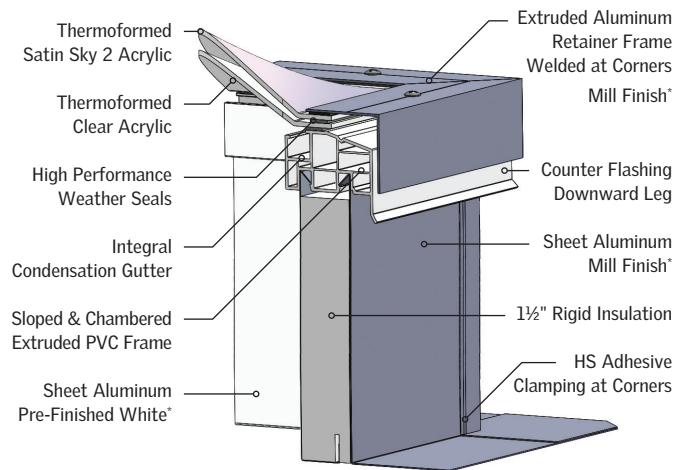
Outer: Satin Sky 2 – Optional Middle: Clear – Inner: Clear

Standard Sizes (Custom Sizes Available)

Size	O.D. of Curb	Size	O.D. of Curb
2828	25 ¼" x 25 ¼"	5276	49 ¼" x 72 ½"
2852	25 ¼" x 49 ¼"	5296	49 ¼" x 92 ½"
3636	33 ¼" x 33 ¼"	5555	51" x 51"
3652	33 ¼" x 49 ¼"	55102	51" x 99"
4242	40" x 40"	6060	58" x 58"
4280	40" x 78"	6476	60 ½" x 72 ½"
5252	49 ¼" x 49 ¼"	6496	60 ½" x 92 ½"

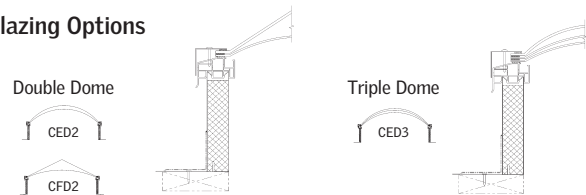
Deck Mount (CED2)

Integral Curb Heights of 12" or 16"



*Standard finish. Paint or anodize color options available.

Glazing Options



Outer: Satin Sky 2 – Optional Middle: Clear – Inner: Clear

Standard Sizes (Custom Sizes Available)

Size	Rough Opening	Size	Rough Opening
2828	22 ¼" x 22 ¼"	5276	46 ¼" x 69 ½"
2852	22 ¼" x 46 ¼"	5296	46 ¼" x 89 ½"
3636	30 ¼" x 30 ¼"	5555	48" x 48"
3652	30 ¼" x 46 ¼"	55102	48" x 96"
4242	37" x 37"	6060	55" x 55"
4280	37" x 75"	6476	57 ½" x 69 ½"
5252	46 ¼" x 46 ¼"	6496	57 ½" x 89 ½"