

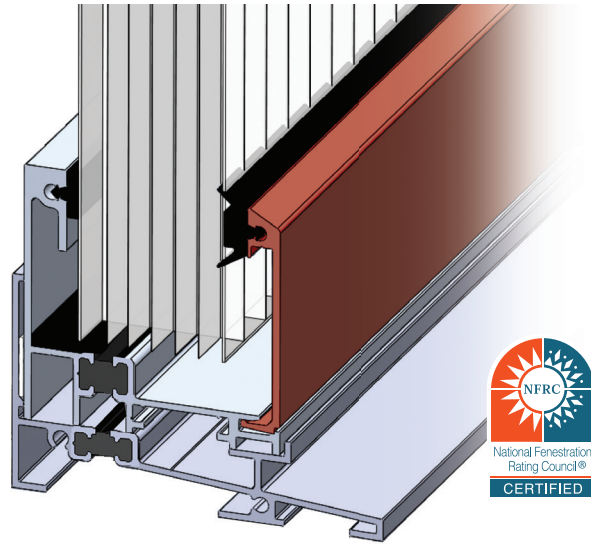
Horizon V-Series Technical Information

LumiWall 40 Translucent Wall Panel System

LumiWall 40 is constructed with fully fabricated, lightweight, interlocking 40mm tongue and groove multiwall polycarbonate panels. It is a dry glaze translucent wall system with thermal breaks for improved thermal performance. The system has unlimited height and width, and is easily installed by commercial contractors.

Features

- System Depth: 2¾" Panel Frame, 4" Subsill
- Standard Subsill for Trouble Free Installation
- Sloped Sill Nose with Recessed Weeps for Maximum Drainage
- Polyurethane Thermal Breaks for Improved Thermal Performance
- Factory Finishes Meeting All AAMA Finish Standards
- No Exposed Fasteners
- NFRC Certified (CPD# WPC-A-12)
- 10 Year Warranty



Performance

Air Infiltration:

0.10 cfm/ft² @ 1.57psf per ASTM E283

Water Penetration:

12 psf per ASTM E547 and ASTM E331

Structural Capabilities:

- DP55 psf @ 5'-6" Vertical Span
- DP30 psf @ 6'-10" Vertical Span
- DP20 psf @ 8'-0" Vertical Span
- DP45 psf W/ HORIZONTAL SUPPORT @ 4'-0"

NFRC Certified Performance:*

Glazing	Certified Products Directory #	U-Factor	SHGC	VT**
40mm Opal	WPC-A-12-00001-00001	0.30	0.33	0.25
40mm Opal IR	WPC-A-12-00002-00001	0.28	0.21	0.22
40mm Clear IR	WPC-A-12-00003-00001	0.27	0.31	0.35
40mm Clear	WPC-A-12-00004-00001	0.27	0.41	0.41

*With Polyurethane Thermal Breaks

**VT is not part of the NFRC testing protocol.

Code Compliance:

Flame Spread	ASTM E-84 / UL 723	0 Flame / 120 Smoke
Smoke Developed		IBC Class: CC1 Rated
Combustibility Classification	ASTM D-635	CC1 – less than 1"/min
Self-Ignition Temperature	ASTM D-1929	986 deg F

Standard Info

Thermal Break:

Available with polyurethane thermal breaks.

Finishing:

Bronze and Clear Anodized stocked. All other Wasco finishes also available, contact factory for information.

Glazing:

Clear, Opal and Opal IR stocked. Other glazing options available, contact factory for information.

Sizes:

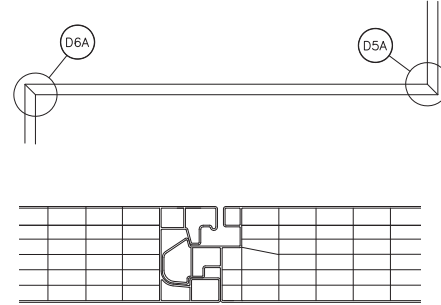
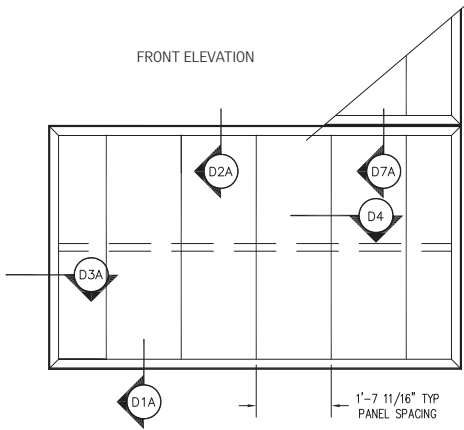
Panel Width: 19.685"

Panel Length: Aprox 38' – Can be cut to custom lengths

System Height w/ Support: Max height 25' without stack joint. Unlimited height with stack joints (see Detail 7A)

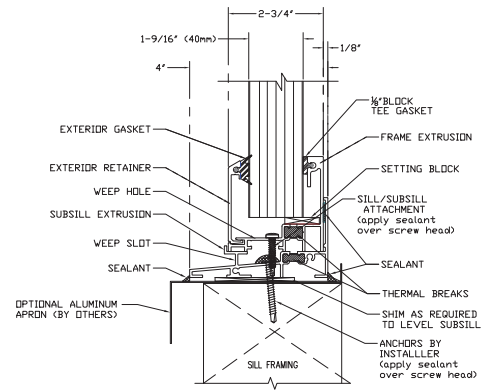
System Width: Unlimited

Horizon V-Series Technical Information

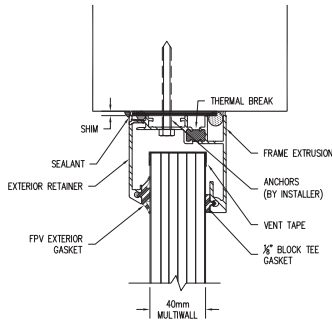


MULTIWALL POLYCARBONATE: 40MM, 7 WALL, TONGUE & GROOVE

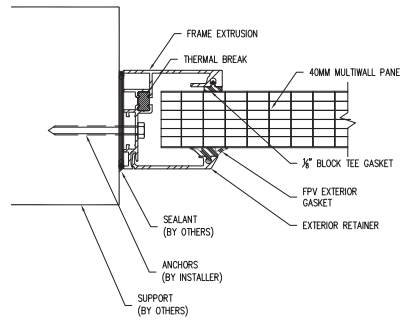
D1A - SILL DETAIL



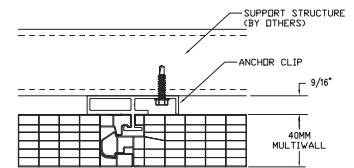
D2A - HEAD DETAIL



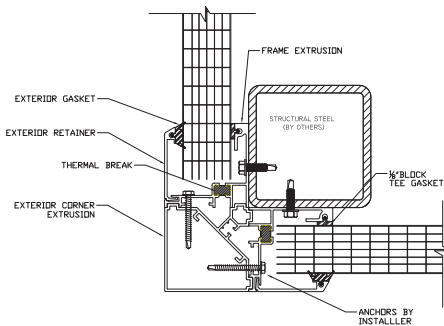
D3A - JAMB DETAIL



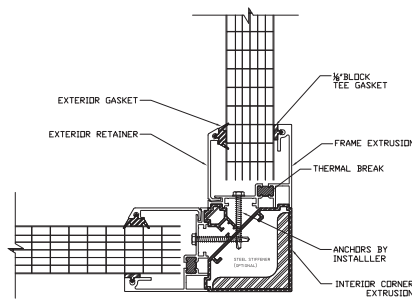
D4 - ANCHOR CLIP



D5A - OUTSIDE CORNER



D6A - INSIDE CORNER



D7A - STACK JOINT

