

# Horizon M-Series

## Monolithic polycarbonate canopy system

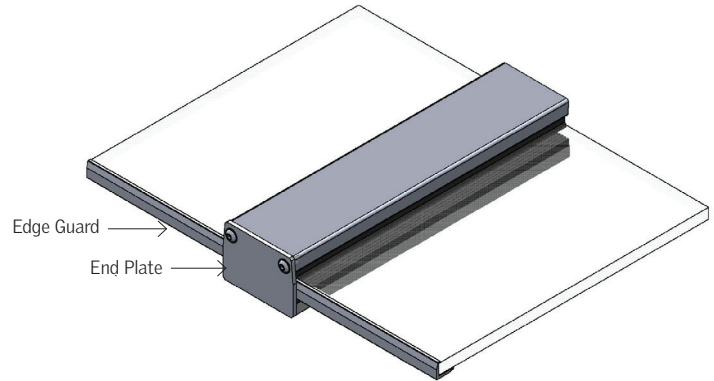
### Features:

- Monolithic polycarbonate panel thickness of 3/8"
- Up to 250 times impact strength of glass
- Extruded aluminum edge guard at ends and sides as needed
- Multiple structural options for design flexibility
- Custom panel shapes available
- Standard colors clear and white, other colors available.
- Architectural paint and anodized finishes available
- Custom engineered for limitless design options



### Design:

- Rafter spacing up to 2' on center
- Up to 20' continuous length without purlins
- Minimum slope of 1/2" in 12"
- Up to 3" side edge overhang
- Support structure by others
- Consult sales representative for other span or framing requirements



### Details:

